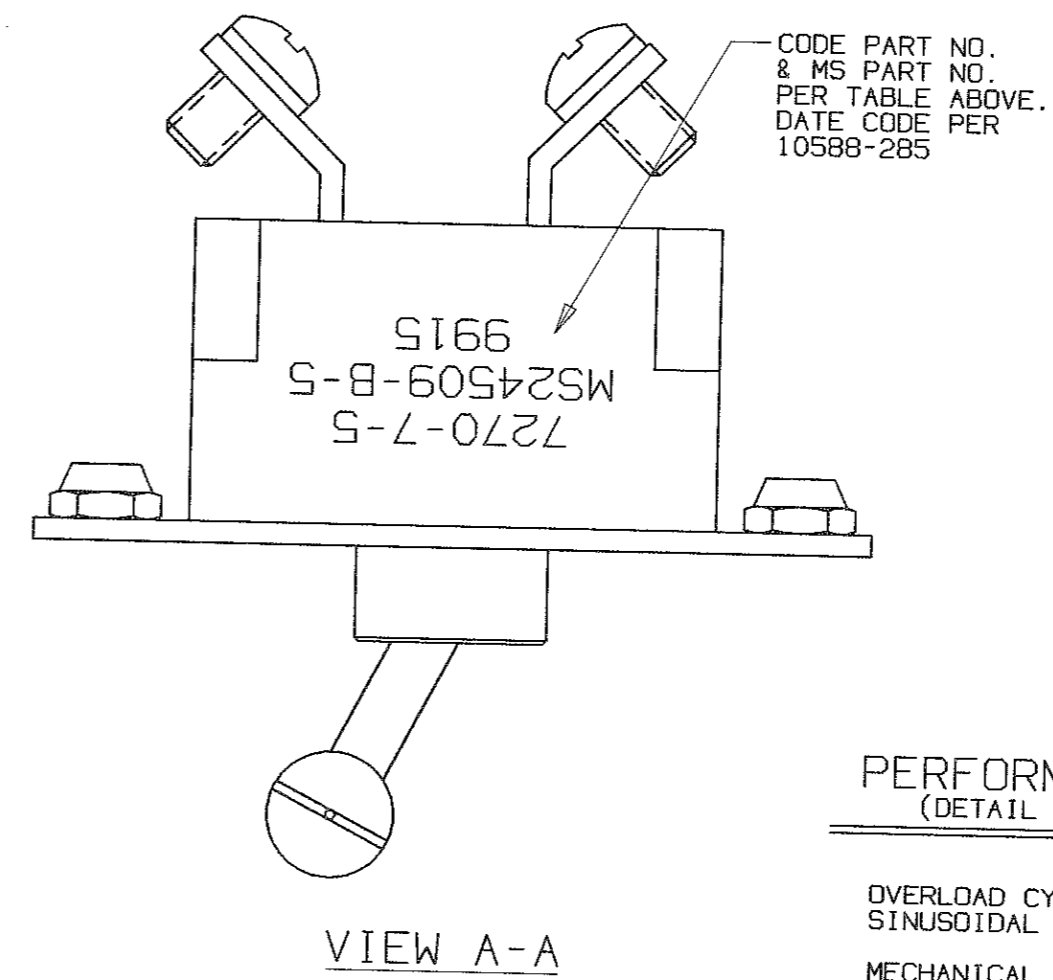
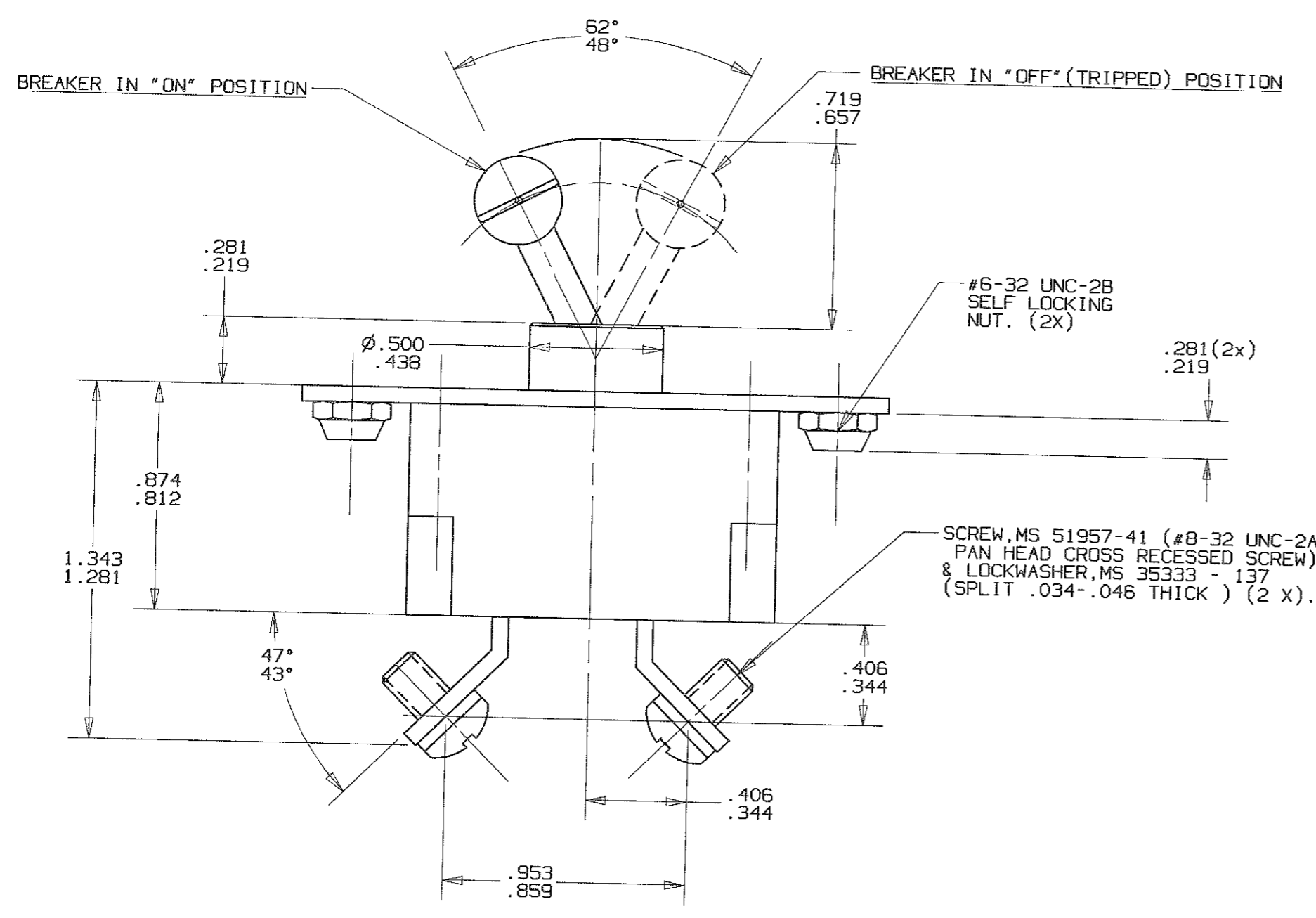
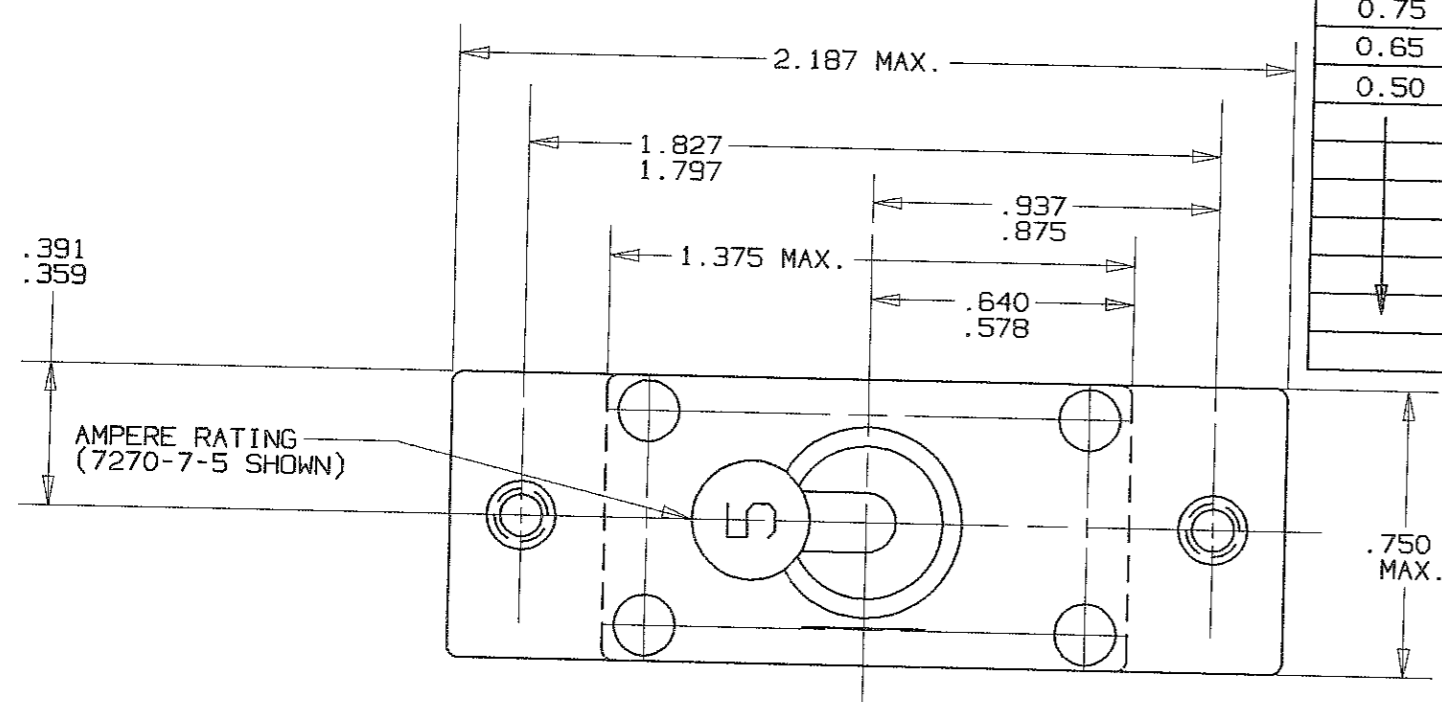


MAXIMUM VOLTAGE DROP	% RATED CURRENT			PART NO.	AMP. RATING	CUSTOMER PART NO.
	200	400	600			
0.75	40-120	3-26	1-12	7270-7- 3	3	
0.65	40-100	3-22	1-10	7270-7- 5	5	MS24509-B-5
0.50	10-70	.75-7.0	.25-2.5	7270-7- 7 1/2	7 1/2	MS24509-B-7 1/2
				7270-7-10	10	MS24509-B-10
				7270-7-15	15	MS24509-B-15
				7270-7-20	20	
				7270-7-25	25	
				7270-7-30	30	
				7270-7-35	35	

ZONE		LTR		7270-7		REVISIONS		PROJ. 438	DATE	APPROVED	
		R				MOVED CODE STAMP TO FAR SIDE		CRMS1147	JRB	6-13-00	S.J.B.



PERFORMANCE CHARACTERISTICS
(DETAIL PERFORMANCE PER MIL-C-5809)

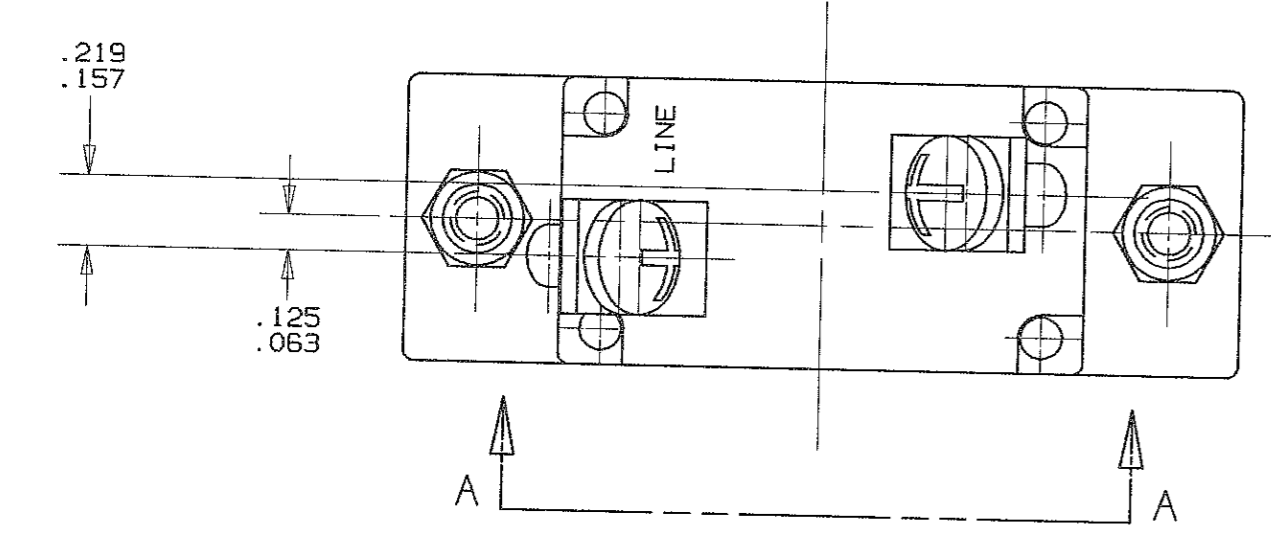
OVERLOAD CYCLING-----100 CYCLES AT 200% RATING
 SINUSOIDAL VIBRATION-----10 G'S 50-500 HZ
 MECHANICAL SHOCK-----30 G'S AT 11.0 MILLISECOND DURATION
 ACCELERATION-----10 G'S MINIMUM
 SAND & DUST-----12 HOURS
 CORROSION-----SALT SPRAY 48 HOURS
 HUMIDITY-----10 DAYS
 EXPLOSION PROOF-----WHILE INTERRUPTING RUPTURE CURRENTS

MAXIMUM OPERATING ALTITUDE: 70,000 FT.
 WEIGHT: 39.0 GRAMS MAX.
 MAXIMUM OPERATING FORCES:
 PULL OUT-----6 LBS. MAX.
 RESET-----6 LBS. MAX.

CURRENT INTERRUPTION CAPACITY: 4,000 A @ 30 VDC.
 3,500 A @ 120 VAC, 400HZ.

ENDURANCE:
 120 VAC-----400 HZ INDUCTIVE -----5000 CYCLES
 120 VAC-----400 HZ RESISTIVE -----5000 CYCLES
 30 VDC-----INDUCTIVE -----200 CYCLES
 30 VDC-----RESISTIVE -----5000 CYCLES
 NO LOAD-----MECHANICAL -----10000 CYCLES

CALIBRATION:
 AMBIENT TEMP. HOLD TRIP
 +25°C 115% RATING 145% RATING
 -40°C 138% RATING 175% RATING
 +71°C 80% RATING 125% RATING



SUPERSEDES 7270-7 REV"P" DATED 5-13-99

UNLESS OTHERWISE SPECIFIED DIMENSIONS ARE IN INCHES	DRAWN O. LARSEN	DATE 5-3-95	Q3	P18
TOLERANCE ON FRACTIONS DECIMALS ANGLES	ENGINEER M. J. LAVADO	5-3-95	TEXAS INSTRUMENTS ATTLEBORO, MASSACHUSETTS 02703 KLIXON CONTROL PRODUCTS DIVISION	
	APPROVED H. HIRSBRUNNER	5-16-89	TITLE 7270-7 TYPE TRIP FREE SWITCH TYPE CIRCUIT BREAKER ENVELOPE DRAWING	
	APPROVED PETER G. BERG	5-3-95	SIZE CODE IDENT NO. C 82647	
MATERIAL	SIGNATURES ON FILE. REFER TO ELECTRONIC CHANGE NOTICE.		7270-7	
	SCALE: 2X		SHEET 1 OF 1	